

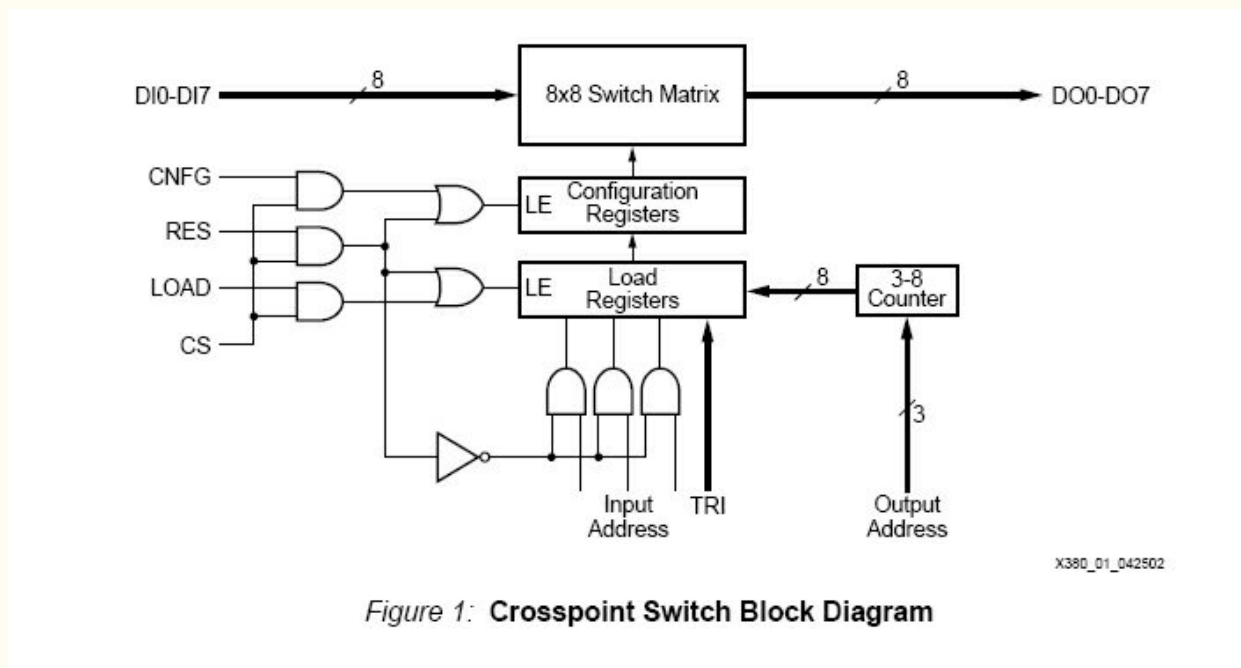


PSTN T/S/T SWITCH HARDWARE SIMULATION TRAINER MODEL PSTN100S

This trainer has been designed with a view to provide practical and experimental knowledge of PSTN T/S/T Switch Hardware Simulation.

PSTN T-S-T SWITCH CROSS POINT SIMULATION

This software simulation provides a functional description of VHDL source code for a N x N Digital Crosspoint Switch. The code is designed with eight inputs and eight outputs in order to target the 128-macrocell CoolRunner™-II CPLD device but can be easily expanded to target higher density devices.



In keeping view of SIGMA policy of continuous development and improvement, the Specifications may be changed without prior notice or obligation.

Sigma Trainers and Kits
E-113, Jai Ambe Nagar,
Near Udgam School,
Thaltej,
AHMEDABAD - 380054.
INDIA.

Phone(O): +91-79-26852427/ 26850829
Phone(F): +91-79-26767512/ 26767648
Fax : +91-79-26840290/ 26840290
Mobile : +91-9824001168
Email : sales@sigmatrainers.com
: sigmatrainers@sify.com
Web : www.sigmatrainers.com

Dealer:-