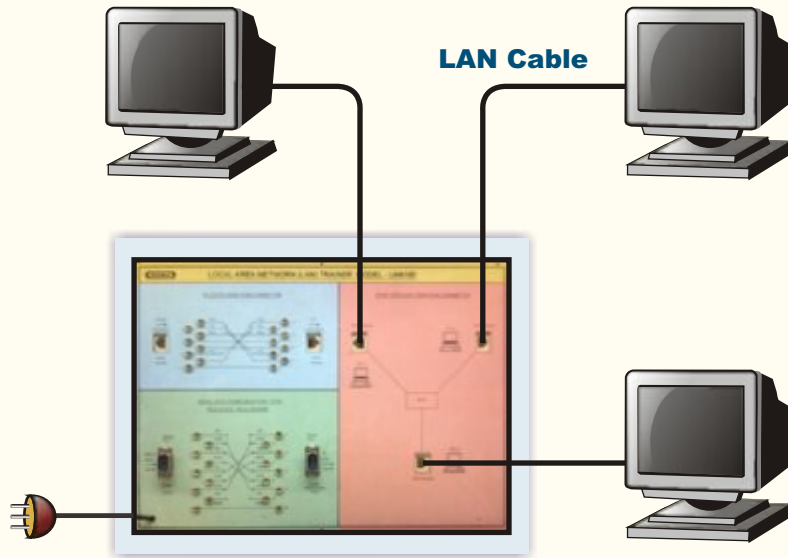




# LOCAL AREA NETWORK (LAN) TRAINER

MODEL - LAN100S

This trainer provides training of hardware and software theory of Local Area Networking of Computers with experiments. This trainer is based on syllabus of MCSE - (Microsoft Certified Software Engineer)



## SPECIFICATIONS

### LAN Hardware

- |                               |   |                                |
|-------------------------------|---|--------------------------------|
| 1. 10 Mbps Ethernet Card      | : | 3 Nos.                         |
| 2. Coaxial Cables             | : | 1 Mtrs x 2 Nos .               |
| 3. T- Connector               | : | 3 Nos                          |
| 4. UTP Cables with connectors | : | 5 Mtrs x1 Nos + 3 Mtrs x2 Nos. |
| 5. 10/100 Mbps 8 Port Hub     | : | 1 No. (On Board)               |

In keeping view of SIGMA policy of continuous development and improvement, the Specifications may be changed without prior notice or obligation.

**Sigma Trainers and Kits**  
E-113, Jai Ambe Nagar,  
Near Udgam School,  
Thaltej,  
**AHMEDABAD - 380054.**  
**INDIA.**

**Phone(O): +91-79-26852427/ 26850829**  
**Phone(F): +91-79-26767512/ 26767648**  
**Fax : +91-79-26840290/ 26840290**  
**Mobile : +91-9824001168**  
**Email : sales@sigmatrainers.com**  
**: sigmatrainers@sify.com**  
**Web : www.sigmatrainers.com**

**Dealer:-**

## EXPERIMENTS

1. To Study the Block Diagram and Working principle of networking
2. To understand different types of Networks - by Signaling Methods: Ethernet, ARCNet, Token Ring, Fast Ethernet, FDDI, Gigabit, ATM
3. To understand different types of Networks - by Arrangement type Peer-to-Peer Network, Client-Server Network
4. To understand different types of Network topology - Bus topology, Ring topology, Star topology
5. To study different types of Network Operating systems -Netware, Netware Light, Fantastic, Windows NT, UNIX
6. To understand different types of Network Protocols - IPX/SPX, NetBEUI, TCP/IP, DLC, NETBIOS
7. To study different types of Network cables: Yellow thick AUI cable, twisted Pair (UTP), Coax (Thinnest-RG58A/U), Fiber, ARC Net RG-62 cable
8. To study different types of connectors/sockets: AUI, RJ45 (UTP), BNC, RJ58, Terminators, Patch panel
9. To study different types of Network Interfacing Cards: 16 bit, 8 bits, 32 Bit, ISA, PCI, EISA, MCA, NE2000 compatible
10. To study other connecting accessories: Hubs, Repeaters, Routers, Bridges, Switches, and Gateway
11. To Study Installation procedure
12. To configure and install Network cards IRQ, I/O port address, DMA channel
13. To connect RJ-45 connectors, BNC connectors
14. To carry out cabling between computers
15. To connect HUB
16. To install Network Software - Server Software, Client software,
17. To test Network installation
18. To perform different types of topology - STAR & BUS
19. To understand method of connecting LAN to Internet
20. To understand OSI network layers
21. To perform sharing of resources -Printer, Hard disk, CD-ROM drive
22. To carry out Zero Slot Networking using cross over UTP CAT5 cable
23. To demonstrate and understand different types of faults
24. To study faults diagnosis method
25. To install and configure Web Server
26. To install and configure Proxy Server
27. To install and configure FTP protocol and transfer files from one computer to other on Internet
28. To install and configure Telnet protocol
29. To install and configure dial-up or leased line modem and two or more computers to Internet using Router.