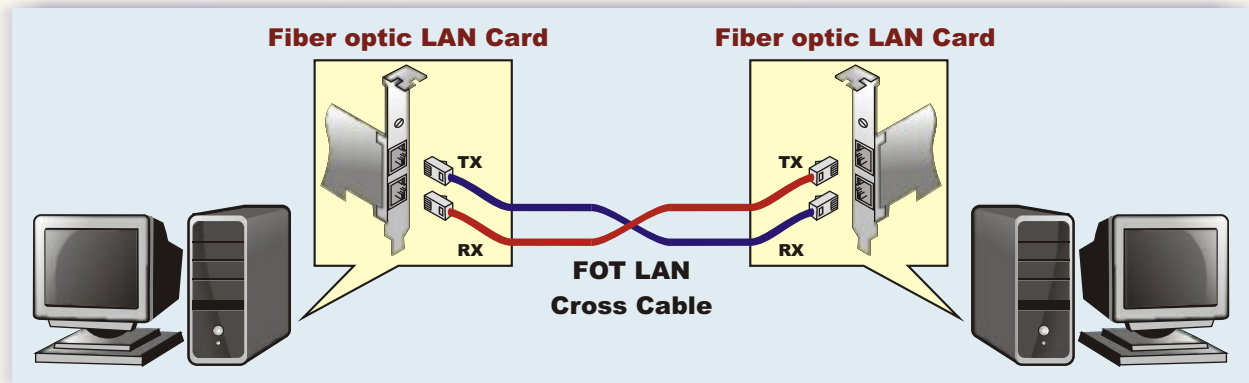




FIBER OPTIC NETWORKING TRAINER

MODEL - FOTLAN100

This trainer provides training of hardware and software theory of Fiber Optic Networking of Computers with 10 experiments.



SPECIFICATIONS

FOT LAN Hardware

1. 10/100/1000 Mbps Fiber Optic Ethernet Card : 2 Nos
2. FOT Cables with connectors : 1 Mtrs x 2 Nos

EXPERIMENTS

1. To understand theory of FOT LAN
2. To understand OSI network layers
3. To understand LAN Protocols
4. To understand different types of LAN Networks - by Signaling Methods:- Ethernet, Arcnet, Token Ring, Fast Ethernet, FDDI, Gigabit, ATM, ISDN
5. To understand different types of Networks - by Arrangement type :- Peer-to-Peer Network, Client-Server Network
6. To Study Installation procedure
7. To configure and install FOT LAN Cards - IRQ, I/O port address, Memory address
8. To install LAN Software
9. To test LAN installation
10. To transfer data using Fiber optic cable between two computers.
11. To demonstrate and understand different types of faults

Note: - Two Computer systems (Pentium IV 1.5 Ghz, 80 GB HD, 128 MB RAM) with Windows XP are required to Operate this trainer.

In keeping view of SIGMA policy of continuous development and improvement, the Specifications may be changed without prior notice or obligation.

Sigma Trainers and Kits
E-113, Jai Ambe Nagar,
Near Udgam School,
Thaltej,
AHMEDABAD - 380054.
INDIA.

Phone(O): +91-79-26852427/ 26850829
Phone(F): +91-79-26767512/ 26767648
Fax : +91-79-26840290/ 26840290
Mobile : +91-9824001168
Email : sales@sigmatrainers.com
: sigmatrainers@sify.com
Web : www.sigmatrainers.com

Dealer:-