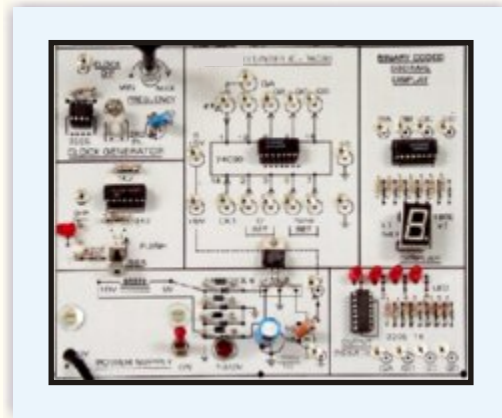




4-BIT BCD COUNTER TRAINER

MODEL - DC006

This trainer has been designed with a view to provide practical and experimental knowledge of BCD counter



SPECIFICATIONS

1. Power supply requirement : 230V AC, 50 Hz.
2. Built in IC based regulated Power supply : +5 V DC/200 mA.
3. Following parts provided on Single PCB with connecting terminals.
Decade Counter - IC 74C93 : 1 No.
4. Logic output Indicators : 4 LEDs provided for output level indication.
5. Seven segment output Indicator : 1 No.
6. Pulsar Switches : 1 Nos provided.
7. Clock generator : 1 No with variable frequency from 1 Hz to 10 Hz.
8. Standard Accessories :
 1. User Manual with practical and circuit diagrams.
 2. Connecting patch cords

In keeping view of SIGMA policy of continuous development and improvement, the Specifications may be changed without prior notice or obligation.

Sigma Trainers
E-103, Jai Ambe Nagar,
Near Udgam School, Thaltej,
AHMEDABAD - 380054.

Phone : 079-26852427 / 26767512
Fax : 079-26840290 / 26759661
ISDN : 079-26859162 / 26853758
Email : sales@sigmatrainers.com
: sigmatrainers@sify.com
Web : www.sigmatrainers.com

Dealer:-