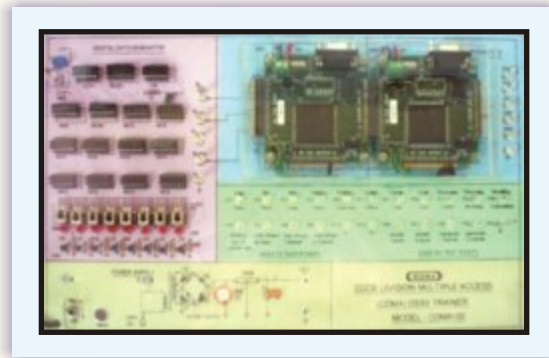




# CDMA - DSSS TRAINER

## MODEL - CDMA100

This trainer has been designed with a view to provide practical and experimental knowledge of Code Division Multiple Access (CDMA) technique as practically implemented for cellular telephony.



### SPECIFICATIONS

1. Direct Sequence Spread Spectrum (DSSS) Modulator, Demodulator.
2. Programmable chip rates up to 10 Mchip/s.
3. Spreading codes : 23 Gold sequences (up to  $2^{23}-1$  chips)  
23 Maximal length sequences, (max length  $2^{23}-1$  chips)  
Barker codes (length 11, 13)
4. Code modulation : BPSK / QPSK / OQPSK with output spectral shaping filter.
5. Raised cosine square root filter with 20%, 25%, or 40% roll off
6. Internal generation of pseudo random bit stream and unmodulated carrier.
7. Built-in channel impairments generation.
8. Additive white gaussian noise.
9. Frequency offset (Doppler)
10. Sequential code search.
11. 4-bit soft - quantized demodulated bits.
12. Monitoring : 1. Receiver lock  
2. Carrier frequency error
13. Standard Accessories : Software, Theory manual, Operating & applications manual Faq's,  
Serial interface cable.

In keeping view of SIGMA policy of continuous development and improvement, the Specifications may be changed without prior notice or obligation.

**Sigma Trainers and Kits**  
E-113, Jai Ambe Nagar,  
Near Udgam School,  
Thaltej,  
**AHMEDABAD - 380054.**  
**INDIA.**

**Phone(O): +91-79-26852427/ 26850829**  
**Phone(F): +91-79-26767512/ 26767648**  
**Fax : +91-79-26840290/ 26840290**  
**Mobile : +91-9824001168**  
**Email : sales@sigmatrainers.com**  
**: sigmatrainers@sify.com**  
**Web : www.sigmatrainers.com**

**Dealer:-**