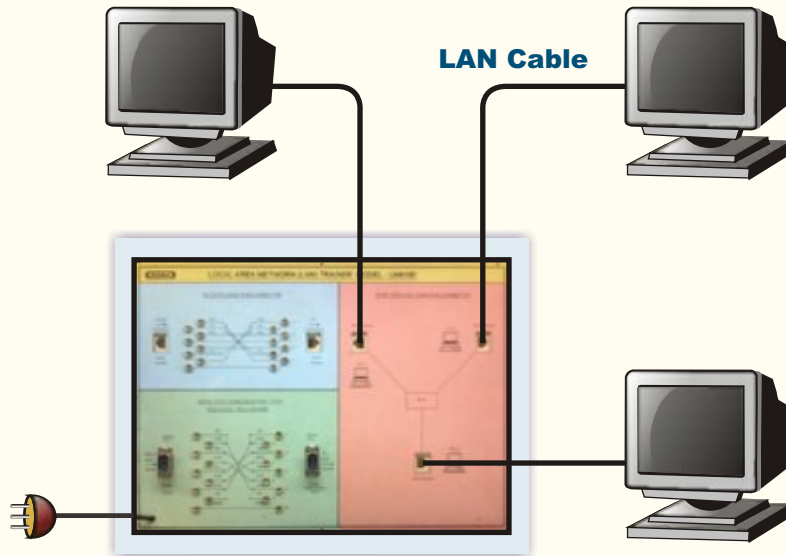




BRIDGE TRAINER

MODEL - BRIDGE100

This trainer has been designed with a view to provide practical and experimental knowledge of BRIDGE on a SINGLE P.C.B



FEATURES

1. Study of BRIDGE circuit used for Computer.
2. Tracing of the circuit and identification of different components.
3. Measurement of test point voltages.
4. Observation of test point Waveforms.
5. A detailed manual containing different practical is provided along with the board.

SPECIFICATIONS

- | | | |
|-------------------------|---|--|
| 1. Type | : | 10MBPS - SWITCH |
| 2. Supply | : | 12V AC Adapter |
| 3. Interface | : | Eight 10/100 mbps UTP Ports (RJ-45) |
| 4. LED Indicators | | |
| 5. Standard Accessories | : | 1. Trainer P.C.B. 2. A Manual having practical. |

In keeping view of SIGMA policy of continuous development and improvement, the Specifications may be changed without prior notice or obligation.

Sigma Trainers
E-103, Jai Ambe Nagar,
Near Udgam School, Thaltej,
AHMEDABAD - 380054.

Phone : 079-26852427 / 26767512
Fax : 079-26840290 / 26759661
ISDN : 079-26859162 / 26853758
Email : sales@sigmatrainers.com
: sigmatrainers@sify.com
Web : www.sigmatrainers.com

Dealer:-